

Installation Manual for Sound Line

SL-C6.2 MK2

2-Way Component System

Part Nr. 280244

**Please read installation manual carefully before beginning
installation!**



rainbow

Rainbow Audio GmbH - Bernbrunnerstr. 54 - 74831 Gundelsheim

www.rainbow-audio.de

info@rainbow-audio.de

Dear Music Lover

Congratulations on your purchase of our superior product! We sincerely thank you for placing your trust in Rainbow Audio. With over 30 years of engineering expertise in car audio speakers and a commitment to the principles of the golden ratio for product design, Rainbow has developed a wide range of products that deliver life-like sound, capturing every detail and emotion.

Rainbow guarantees exceptional quality, and we wish you countless hours of enjoyment with your favorite music, brought to life by our high-performance products. This installation manual has been carefully prepared, considering various mechanical and acoustical factors, to help you better understand and operate Rainbow products.

We welcome your questions, feedback, and suggestions. Please feel free to send them to info@rainbow-audio.de.

Best regards,

The Rainbow Team

Safety Instructions

Attention

Please read all warnings in this manual carefully. These instructions are included to inform you about potential risks of personal injury or property damage. Rainbow products are designed for car audio enthusiasts seeking unparalleled sound performance in vehicles. Always comply with the relevant safety regulations for vehicle components, internal safety standards, and those specified by authorized vehicle manufacturers.

Hearing Protection

Continuous exposure to sound pressure levels above **85 dB** can result in permanent hearing loss. High-powered audio systems may exceed **130 dB**, posing a serious risk to your hearing. Use common sense and avoid prolonged exposure to high volume levels.

Volume and Driver Awareness

Using audio systems while driving can impair your ability to hear essential traffic sounds, posing a potential safety hazard. Rainbow Audio accepts no liability for hearing loss, injury, or property damage caused by the use or misuse of this product.

Installation Notice

1. Secure Installation

Ensure all components of the speaker system are firmly secured to prevent them from becoming hazardous projectiles in the event of sudden stops or accidents.

2. Inspect Before Drilling

Avoid damaging fuel lines, brake lines, electrical cables, or oil lines when drilling or driving screws into the vehicle. Inspect the area thoroughly before proceeding.

3. Disconnect the Battery

Disconnect the car battery before starting installation. Check with your car dealer to confirm whether this is feasible without triggering system issues.

4. Trim Panel Removal

Exercise care when removing interior trim panels to prevent damage to fastening devices used by the manufacturer.

5. Sheet Metal Alterations

If cutting or removing sheet metal is necessary, consult your authorized dealer to ensure vehicle safety certification remains valid.

Shock Hazard

Avoid touching connectors while the system is operational.

Mechanical Installation

Choosing a Location

Select optimal mounting locations for tweeters and mid-woofers. Using factory speaker positions can save installation time and ensure a clean, integrated appearance.

Tweeter Mounting

Tweeter placement directly impacts sound staging. Consider these common mounting locations:

- 1. A-Pillar:** Provides optimal imaging and balance but requires significant effort to install.
- 2. Dashboard:** May produce overly bright treble due to reflections. Reducing tweeter output by -3 dB can help.
- 3. Window Triangles:** Yields a bright sound with a high stage but may sound tense.
- 4. Door Panels:** Offers balanced sound but with reduced imaging.
- 5. Above Mid-Woofer:** Can sound muffled, especially for the passenger seat.

Pro Tip: Aim tweeters to cross at a virtual point between the driver and front passenger for ideal staging. Avoid directly pointing them at listeners to prevent "side-biasing."

Crossover Mounting

Choose an accessible location for the crossover, such as behind door panels or beneath the dashboard. Ensure correct polarity when connecting tweeters, mid-woofers, and amplifiers to the crossover.

Pro Advice: Experiment with reversing tweeter polarity to enhance sound quality, as reflections or installation positions may influence acoustic results.

Cable Cross-Section

For long distances between the amplifier and crossover, use high-quality cables with a minimum cross-section of 2.5 mm² to maintain sound integrity.

Crossover Adjustment

Adjust the tweeter level based on vehicle acoustics:

- **+3 dB:** Tweeters are far from midrange drivers.
- **0 dB:** Recommended for most installations.
- **-3 dB:** Tweeters are close to the listener's head.

System Testing

Gradually increase the volume to test for distortion. Adjust the balance control to verify sound uniformity across both speakers. Recheck all connections if any abnormalities occur.

Warranty Policy

Warranty Period: One year from the date of purchase by the original buyer.

Exclusions:

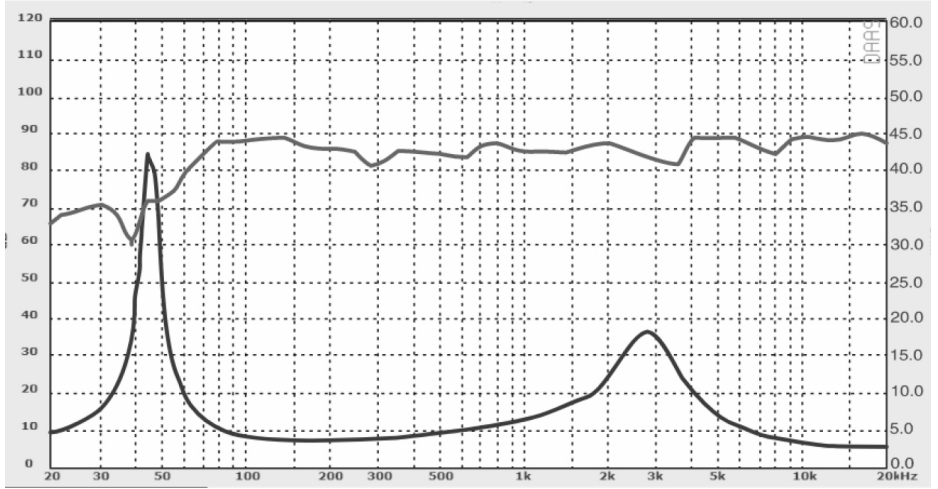
- Mechanical damage during installation or use of incompatible components.
- Electrical defects due to overload or distortion.
- Wear and tear, improper enclosures, or extreme volume levels.

Note: Warranty becomes void if the product is transferred or modified by unauthorized personnel.

TECHNICAL DATA

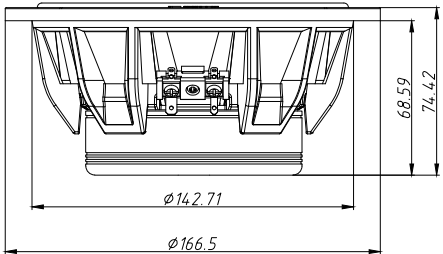
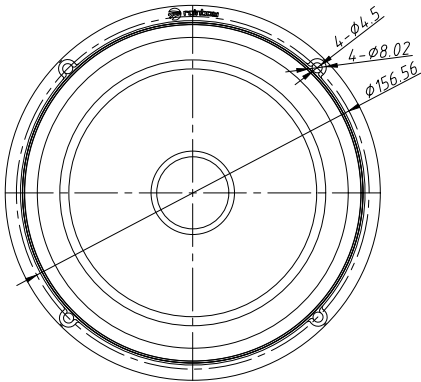
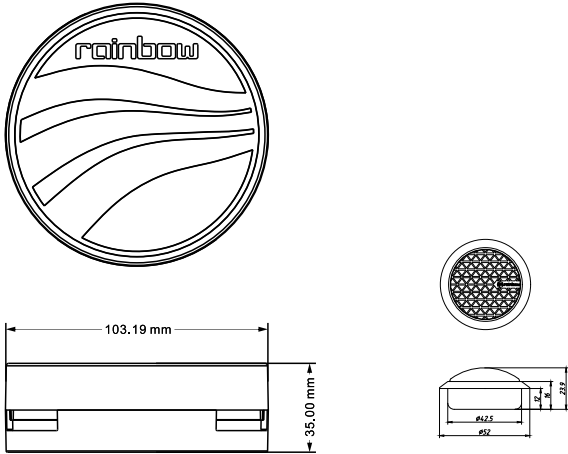
SL-C6.2 MK2

Impedance vs Frequency Response

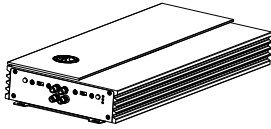


T/S parameters	
Cone	silk/aluminum
Sensitivity	87 dB/W/m
Nominal power	80 W
Peak power	150 W
Nominal impedance	4 Ohm
Re	3.6 Ohm
Fs	47 Hz
Fr	50 Hz - 20 kHz
Qms	7.5
Qes	0.66
Qts	0.61
Mms	13.2 g
Cms	866 $\mu\text{m}/\text{N}$
Sd	13.2 cm^2
Vas	21.6 L
BL	4.5 Tm
Magnet dimension	85 x 32 x 15 mm
Voice coil diameter	25.5 mm
Voice coil height	12 mm
Mounting diameter	142.5 mm
Mounting depth	68.5 mm
Weight	1194 g

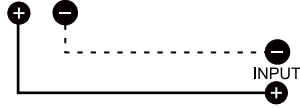
Dimension Illustration



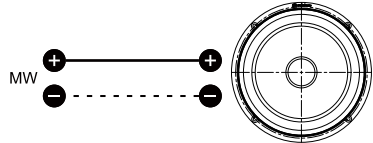
SL-C6.2 MK2 WIRING DIAGRAM



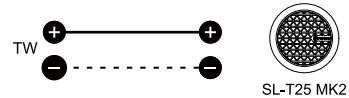
AMPLIFIER OUTPUT



SL-CX6.2 MK2



SL-W165 MK2



SL-T25 MK2

亲爱的音乐爱好者：

祝贺您购买了我们的优质产品，感谢您对彩虹的信任。彩虹拥有超过30年的汽车音响产品开发技术和生产经验，并遵循拥有两千多年历史的黄金比率，制造出富有音乐感、声音自然动听的音响器材。彩虹汽车音响音质卓越，性能优良，让您尽情享受音乐之美。我们结合了不同的机械和汽车声学特点编写了这本安装手册，帮助您更好地了解和使用彩虹产品。如您有任何疑问、反馈和改善建议，请发邮件至info@rainbow-audio.de，我们将不胜感激。

最美好的祝愿

彩虹团队

安全指南

注意

请仔细阅读用户手册中的警示，我们在此注明并强调这些信息是为提醒您免受潜在的人身伤害或设备损坏。

如您想要升级汽车音响系统、乐享旅程，彩虹产品一定是您的不二之选。汽车零部件相关安全守则，车内安全守则和授权汽车生产商相关守则都须严格遵守。

听力保护

长时间聆听高于85分贝音量的声音可能会造成永久性听觉损失。而大功率音响系统产生的声音高于130分贝，可能会损伤听力。请合理调节系统音量及聆听时间，避免以上风险。

音量和安全驾驶

驾驶时，使用音响系统可能会让你听不清周围的交通声，进而引发交通事故。

彩虹对因产品使用不当引起的听力损伤、人身伤害或财产损失概不负责。

安装须知

1、安全安装

确保音响系统的所有组件均牢固固定，以防在车辆急刹或发生事故时成为危险的抛射物。

2、钻孔前检查

在车辆上钻孔或拧入螺丝前，务必仔细检查，避免损坏燃油管路、制动管路、电缆或机油管路。

3、断开电池

在安装前，请先断开汽车电池。建议咨询您的汽车经销商，确认此操作是否可行，确保不会引发系统问题。

4、拆卸内饰板

拆卸车内饰面板时，请小心操作，以免损坏制造商使用的固定装置。

5、钣金改动

如需切割或移除车身钣金，请咨询授权经销商，以确保车辆安全认证仍然有效。

触电危险！

音响系统运行时，不要触摸接线端口。

机械安装

选择安装位置

为高音扬声器和中低音扬声器选择最佳的安装位置。为安装简便，可使用原厂喇叭安装位。这样不仅可以节省大量安装时间，还能保留原车的完整性。

高音安装

高音单元的安装位置直接影响声场的表现。以下是常见的安装位置及其特点：

1. A 柱

提供最佳的声像和均衡效果，但安装难度较高。

2. 仪表台

可能因反射导致高频过亮，将高音衰减设置成-3dB可能会改善这种情况。

3. 车窗三角区

声音明亮，声场较高，但可能听起来有点紧绷。

4. 车门面板

声音均衡，但声像表现稍逊。

5. 中低音单元上方

可能导致声音发闷，尤其影响副驾驶位的听感。

专业建议：调整高音单元的发声方向，使其声波传输穿过驾驶座和副驾驶座之间的虚拟点以实现理想的声场定位。避免直接朝向听众，以防止“侧偏”现象。

分频器安装

选择一个便于安装的位置来放置分频器，例如车门面板后方或仪表板下方。在将高音扬声器、中低音扬声器和放大器连接到分频器时，确保极性正确。

专业意见：可尝试反接高音单元的极性，以优化声音效果。由于安装位置和车内反射的影响，适当调整可能带来更好的声学表现。

喇叭线横截面

如果功放和分频器距离较远，一定要使用优质喇叭线连接，线材横截面不小于 2.5 mm^2 ，否则会对音质产生不良影响。

分频器调节

根据车辆的声学环境，调整高音单元的增益级别：

- +3 dB：高音单元距离中音单元较远。
- 0 dB：推荐用于大多数安装情况。
- -3 dB：高音单元距离听者较近。

系统测试

逐步增加音量以测试是否存在失真。调整平衡控制，确保两侧扬声器的声音均匀。如果出现任何异常情况，请重新检查所有连接。

保修政策

保修期限：自原始购买者购买之日起一年。

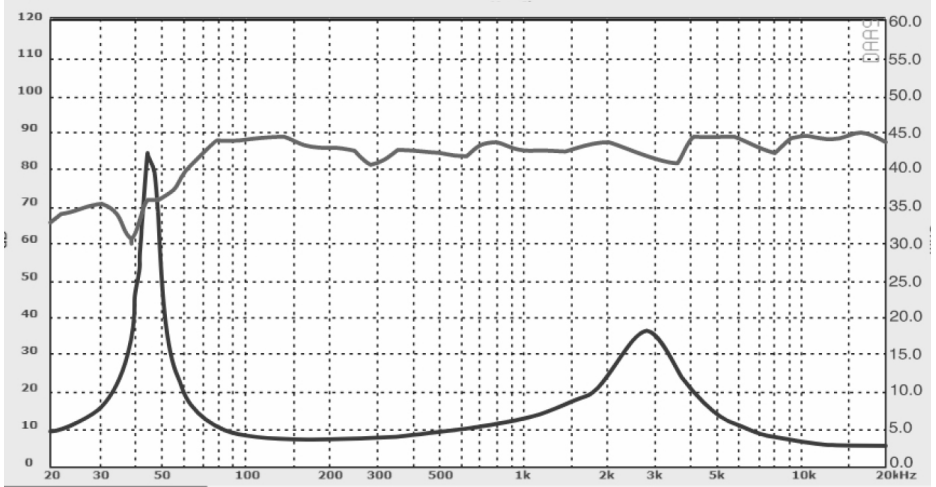
保修范围不包括以下情况：

- 安装过程中造成的机械损坏或使用了不兼容的组件。
- 由于过载或失真导致的电气故障。
- 正常磨损、不当安装或极端音量使用。

注意：若产品被转让或未经授权人员改动，保修将失效。

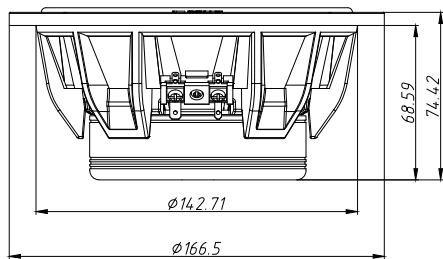
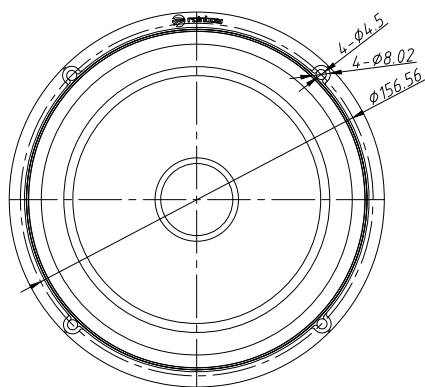
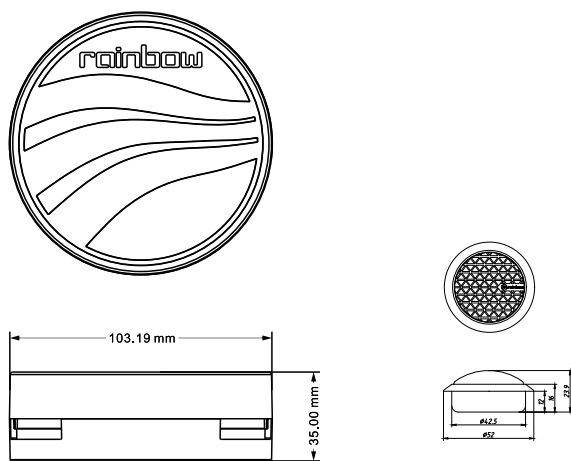
SL-C6.2 MK2

阻抗/频率响应



T/S参数	
振膜	丝膜/铝
灵敏度	87 dB/W/m
额定功率	80 W
峰值功率	150 W
额定阻抗	4 Ohm
直流阻抗	3.6 Ohm
谐振频率	47 Hz
频率响应	50 Hz - 20 kHz
机械品质因数	7.5
电声品质因数	0.66
总品质因数	0.61
振动质量	13.2 g
机械顺从度	866 $\mu\text{m}/\text{N}$
振动面积	13.2 cm^2
等效容积	21.6 L
磁场力	4.5 Tm
磁铁尺寸	85 x 32 x 15 mm
音圈直径	25.5 mm
音圈高度	12 mm
安装直径	142.5 mm
安装深度	68.5 mm
重量	1194 g

尺寸图示



SL-C6.2 MK2 连接图示

